

NOTES:
 (1) All Foundation Bolts to be installed in accordance with TSB-05T05 Installation procedure.
 (2) Level Machine Before Grouting

ITEM	QTY	PART NUMBER	DESCRIPTION
4	1	E-5211-1	Polishing Table Assembly
3	2	E-4044-5	Adjustable Table Stand Assembly
2	1	E-4044-15A	Spindle & Front Pivot Arm Assembly - 5RP
1	1	E-4044-9D	Assembly - Back Post w/o Raise & Lower

Parts List

RELEASED:	DATE:	DIMENSIONS ARE IN INCHES AND DEGREES UNLESS OTHERWISE NOTED. DIMENSIONING AND TOLERANCES IN ACCORDANCE WITH ANSI Y14.5-1994 FRACTIONS DECIMALS ANGLES ± 1/16" .X ± .050 ± .06" .XX ± .010 .XXX ± .005
APPROVED:	DATE:	
PROJ. MGR:	DATE:	
MATERIAL:	DATE:	
WEIGHT:		
NEXT ASSEMBLY:		

BREAK AND DEBURR ALL SHARP EDGES

THIRD ANGLE PROJECTION

SAWING SYSTEMS INC.
 P.O. Box 3754 • Knoxville, TN 37927-3754 • (865) 525-0600
 (800) 489-0601 • Telefax (865) 525-2320

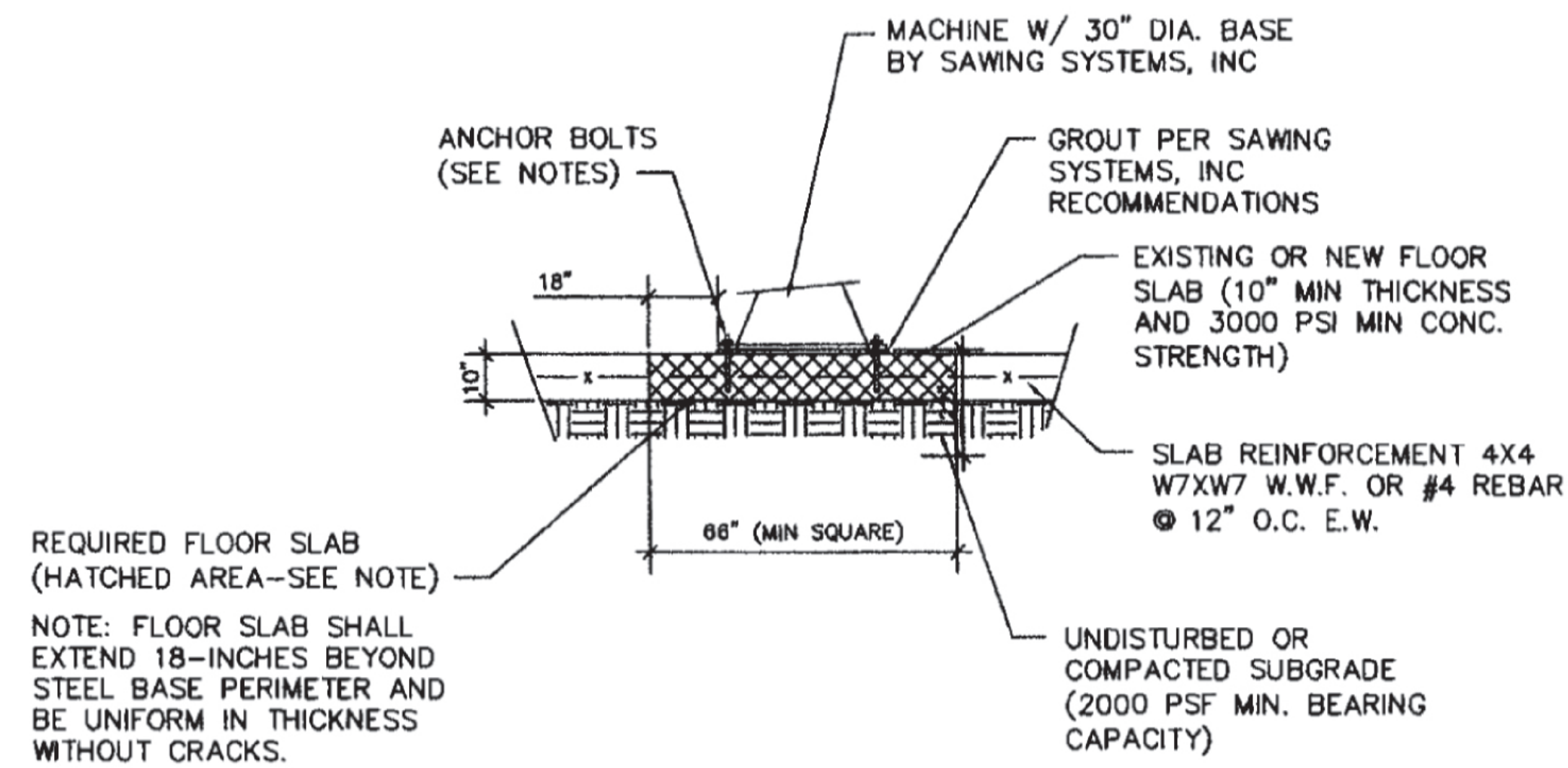
TITLE:
5RP Router - Polisher w/o Post Raise & Lower Master Assembly & Foundation

DRAWN: NDL
 DATE: 12/14/2004

SCALE: 1:14
 WEIGHT:

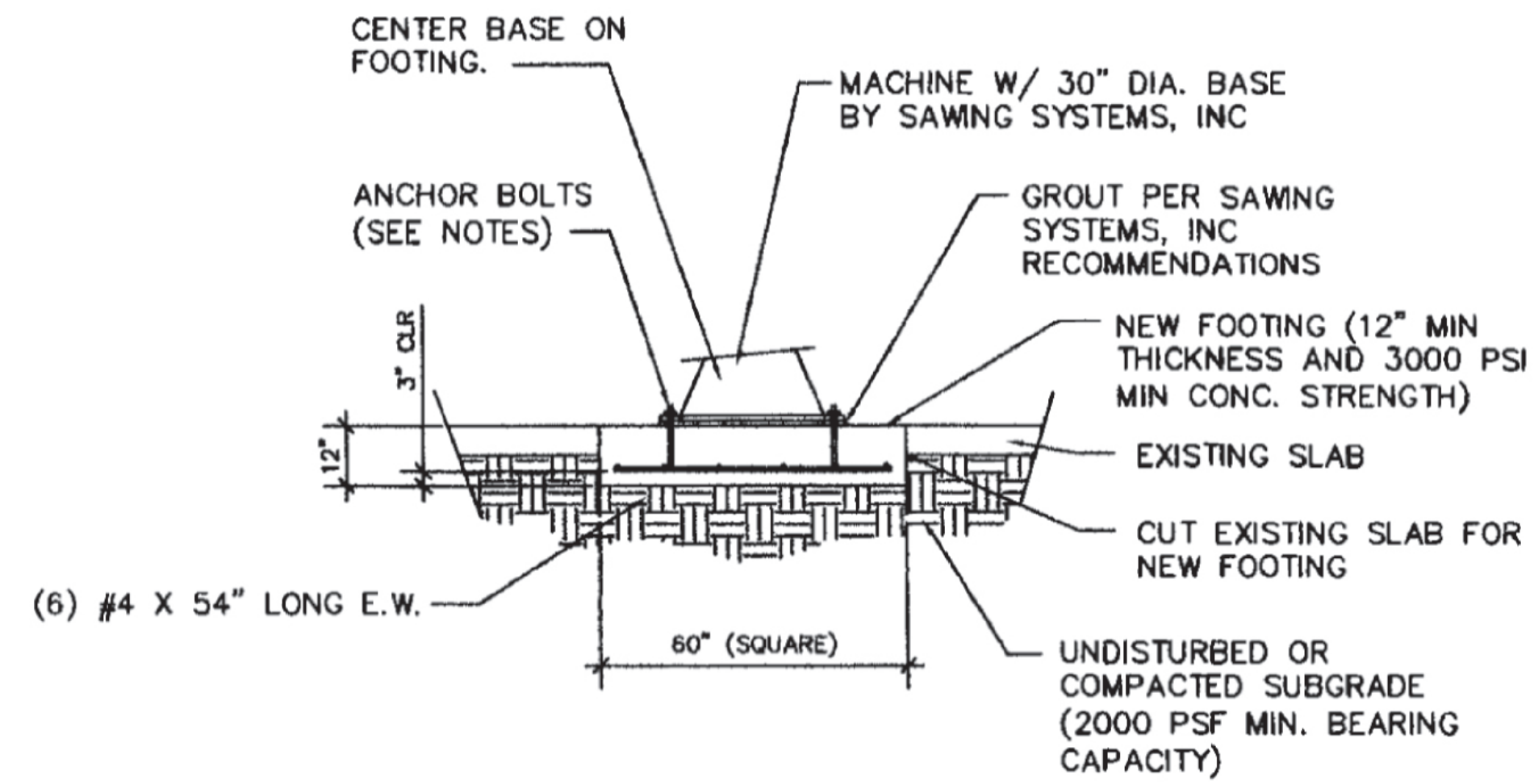
DWG/PART NO:
E-4044-4F3

SIZE: 1 of 1
 SHEET: 1 of 1
 REV: E



MACHINE ON NEW OR EXISTING FLOOR SLAB

SCALE 3/8" = 1'-0"



MACHINE ON NEW CONCRETE FOOTING

SCALE 3/8" = 1'-0"

GENERAL CONCRETE NOTES:

ALL CONCRETE WORK SHALL CONFORM TO THE AMERICAN CONCRETE INSTITUTE STANDARD 318-02, BUILDING CODE REQUIREMENTS FOR STRUCTURAL CONCRETE.

REINFORCING STEEL SHALL BE ASTM A-615, GRADE 60 STEEL.

ALL REINFORCING STEEL SHALL BE PLACED TO HAVE THE FOLLOWING COVER:

- 1" FOR CONCRETE NOT EXPOSED TO WEATHER
- 2" FOR CONCRETE EXPOSED TO WEATHER
- 3" FOR CONCRETE CAST AGAINST EARTH.

ALL REINFORCING STEEL SHALL CLEAN PRIOR TO PLACING CONCRETE.

ANCHOR BOLTS SHALL MINIMALLY BE ONE OF THE FOLLOWING:

- 1" DIA. A36 THREADED ROD WITH NUT AND WASHER CAST INTO NEW CONCRETE (6" MIN. EMBEDMENT LENGTH)
- 1" DIA. A-36 THREADED ROD DRILLED AND EPOXIED INTO CONCRETE (6" MIN. EMBEDMENT LENGTH)
- 1" DIA. CARBON STEEL HILTI KWIK BOLT II (6" MIN. EMBEDMENT LENGTH).
- 1" DIA. CARBON STEEL POWER SYSTEMS POWER BOLT (6" MIN. EMBEDMENT LENGTH).



General Notes		
NOTES		
No.	Revision/Issue	Date
FOUNDATION SYSTEMS ENGINEERING, P.C. <small>Geotechnical & Geoenvironmental Consultants</small> 2209 ATCHLEY STREET P.O. BOX 9448 KNOXVILLE, TN 37940 865-577-3361 FAX 573-1817 ts@ksr.com		
Sawing Systems, Inc. PO Box 3754 Knoxville, Tennessee 37927		
Project Name and Address Small Router Polisher #2 Foundation Details and Notes		
Project	Date	Sheet
11/08/04	NOTED	S-1
E-4044-4G		